



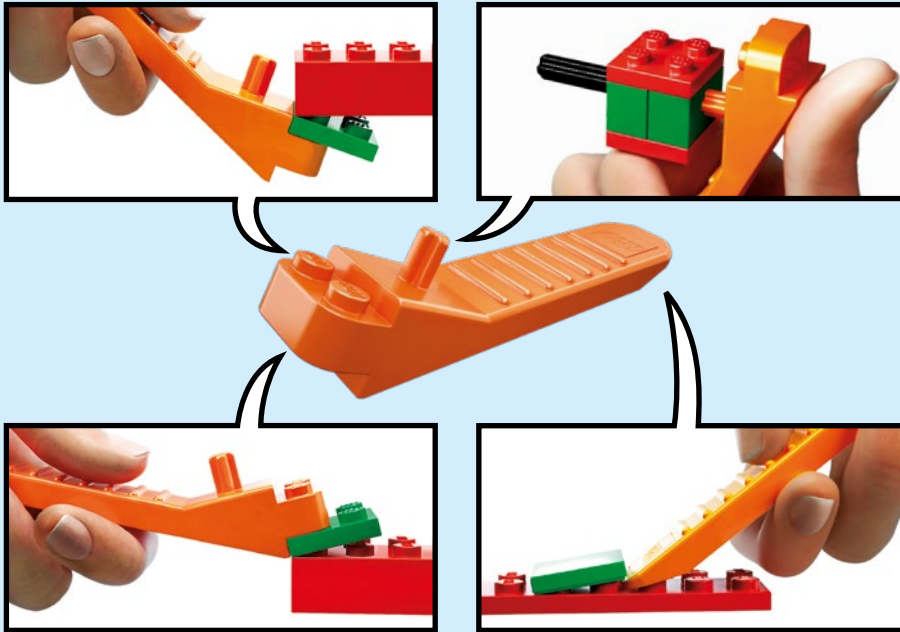
education™



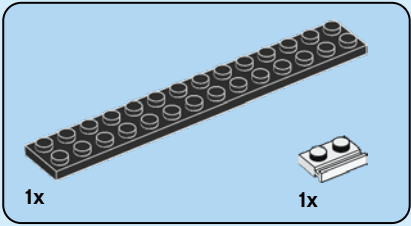
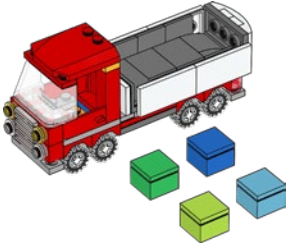
EXPLORE

45817

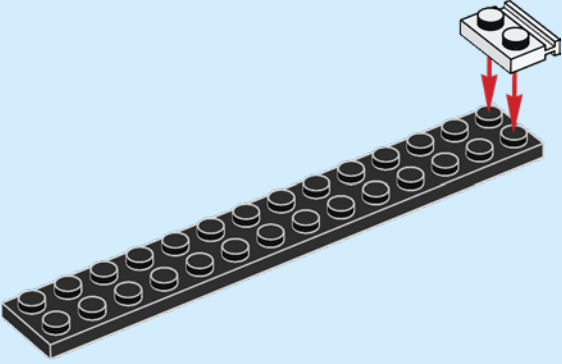




LEGO.com/brickseparator



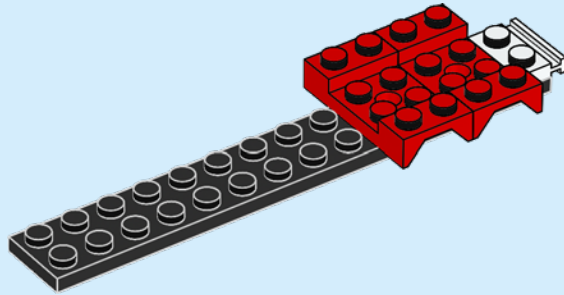
1

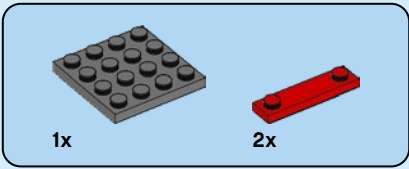




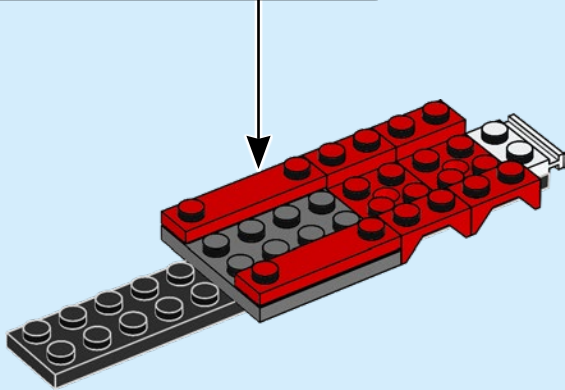
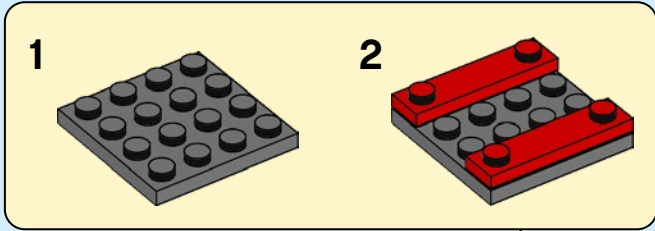
2x

2





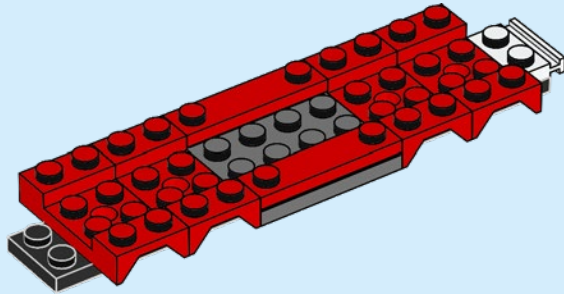
3

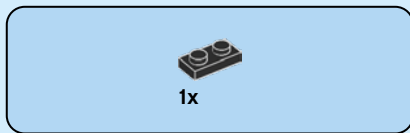




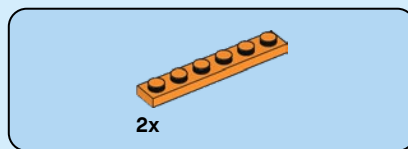
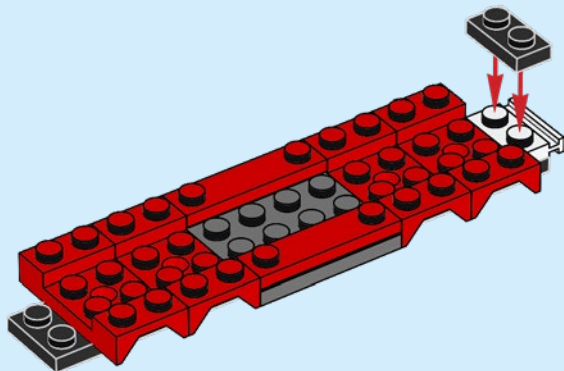
2x

4

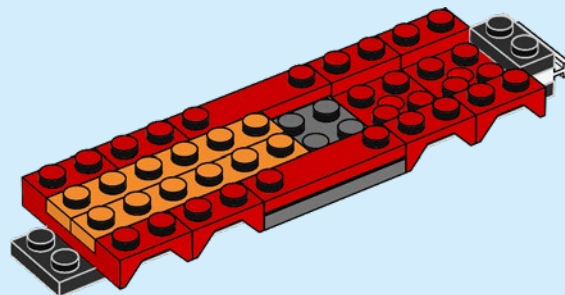


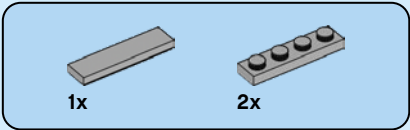


5

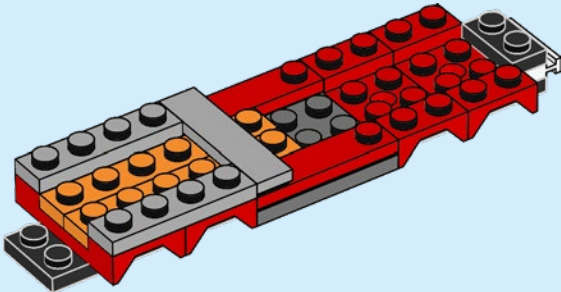


6

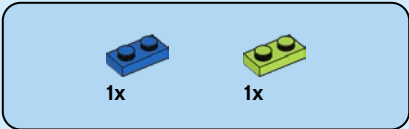




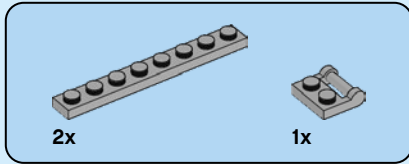
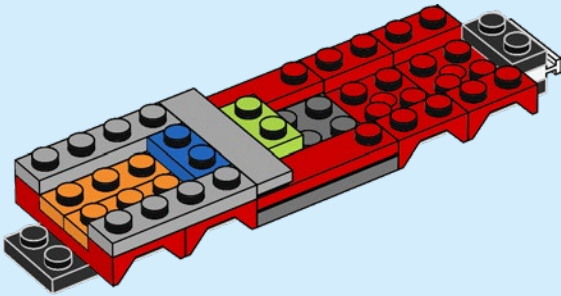
7



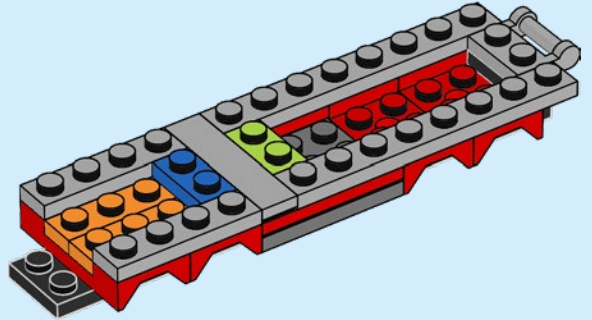
8

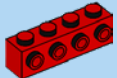


8



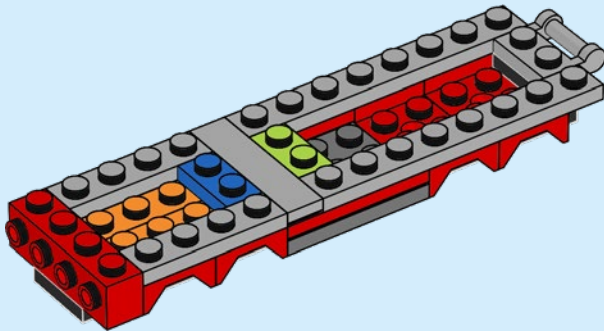
9

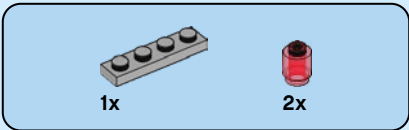




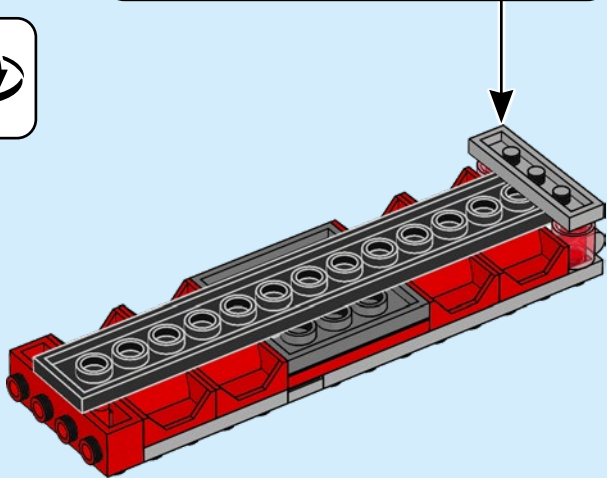
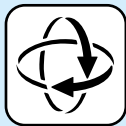
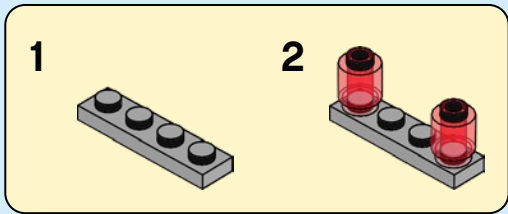
1x

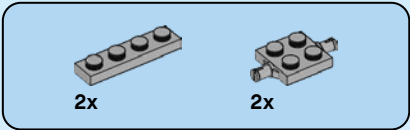
10



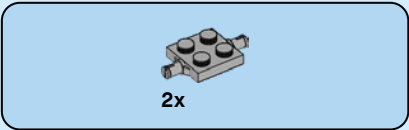
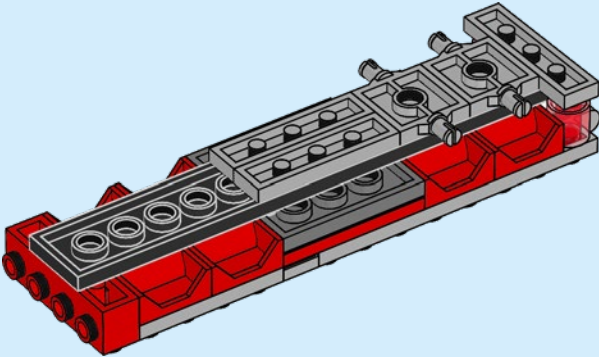


11

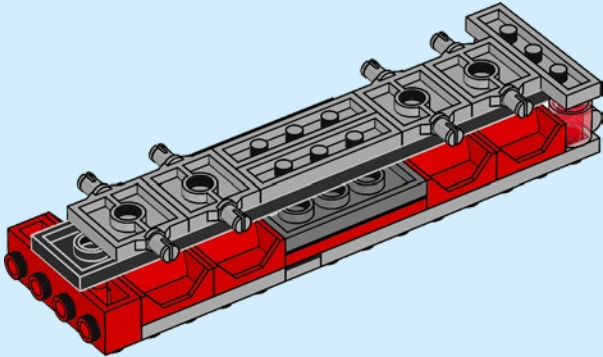


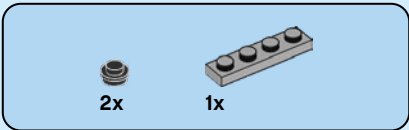


12

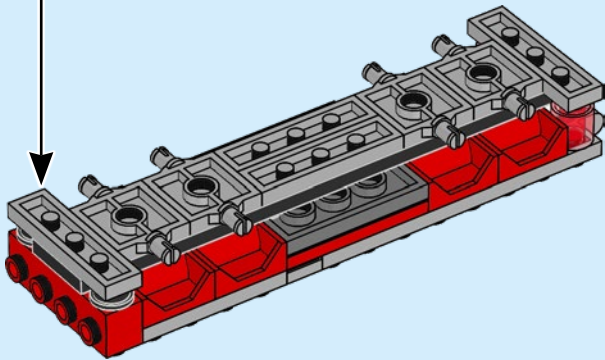
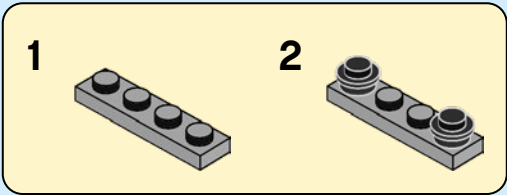


13





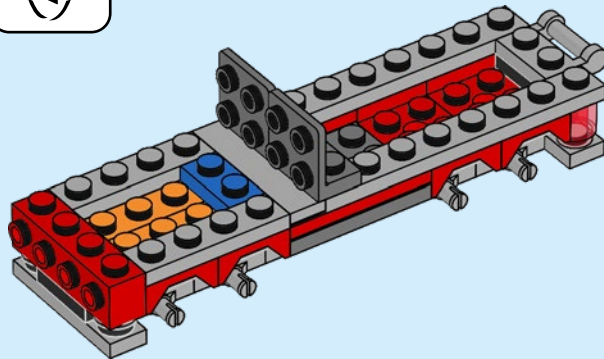
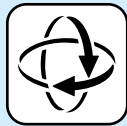
14





2x

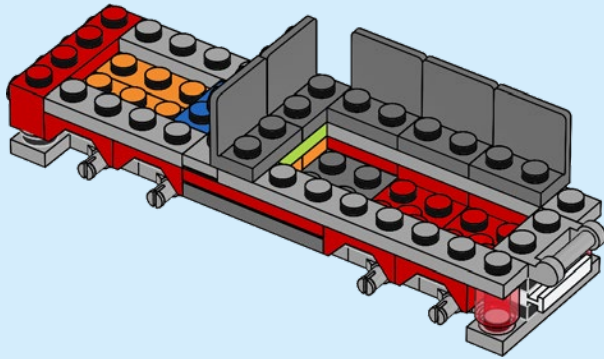
15





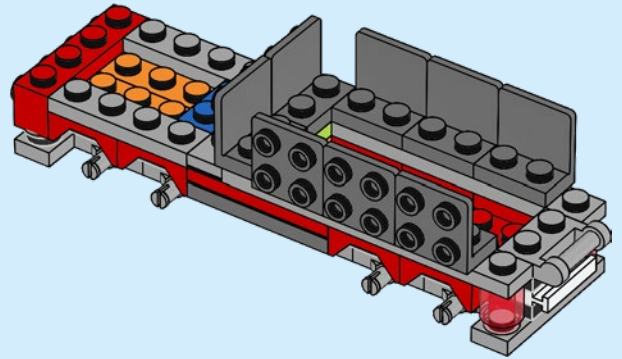
3x

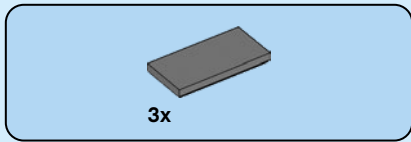
16



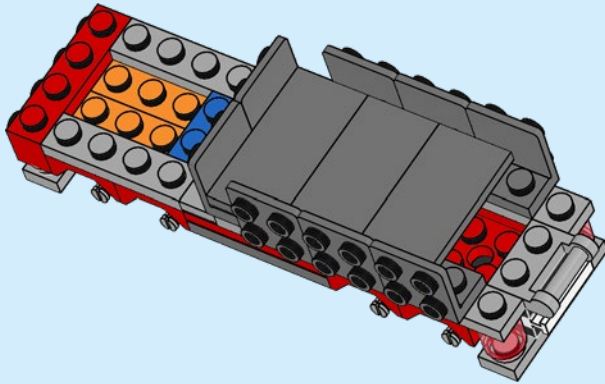
3x

17





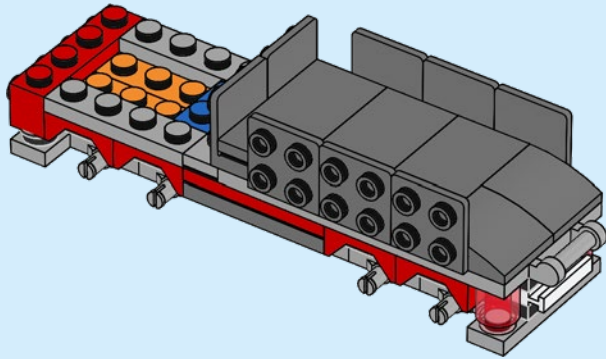
18





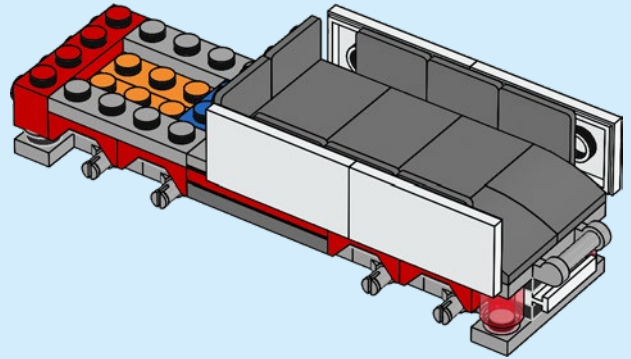
2x

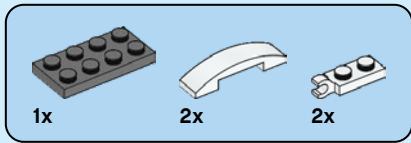
19



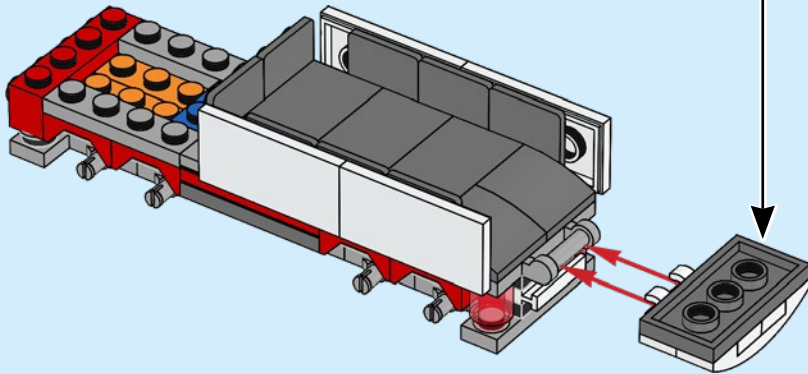
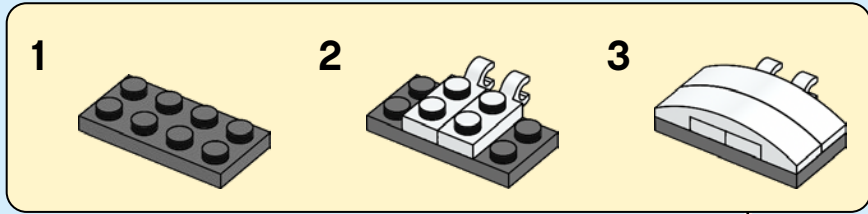
4x

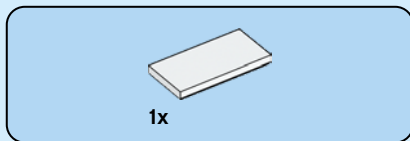
20



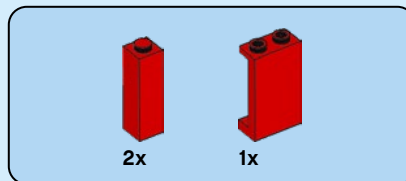
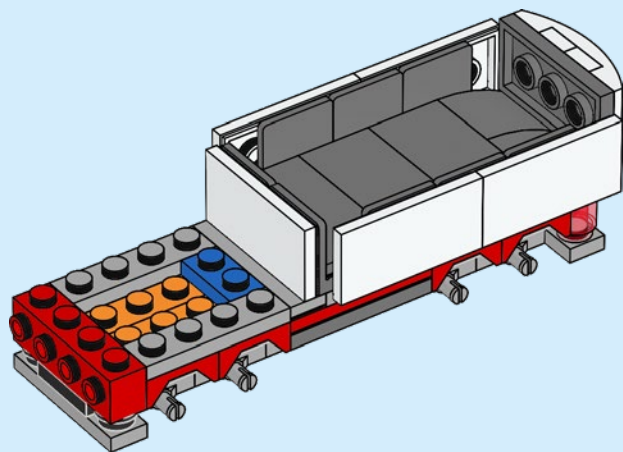


21

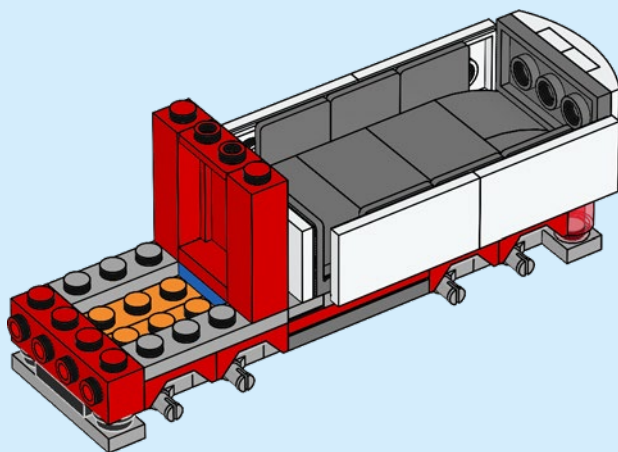




22



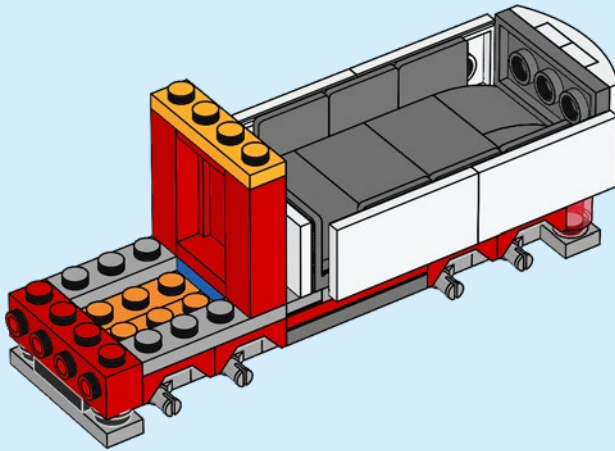
23

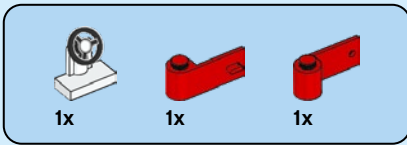




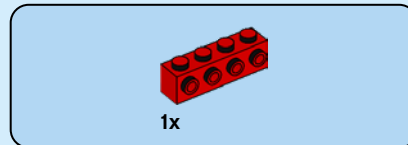
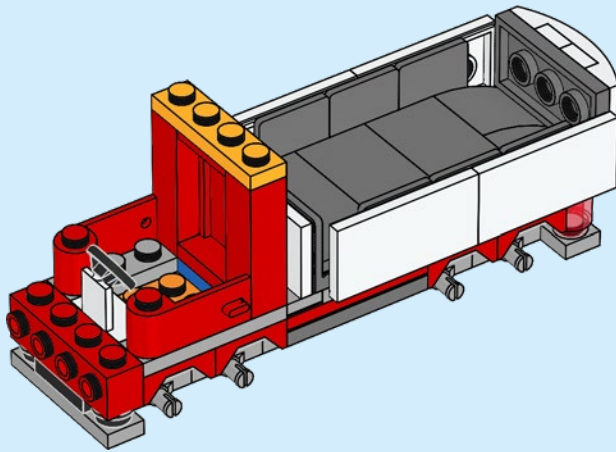
1x

24

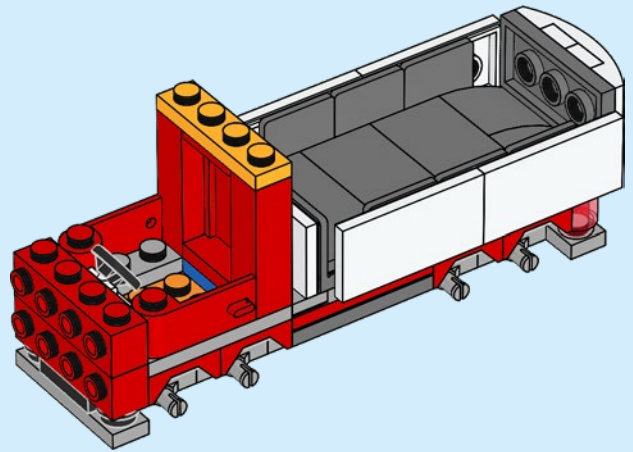


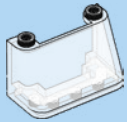


25



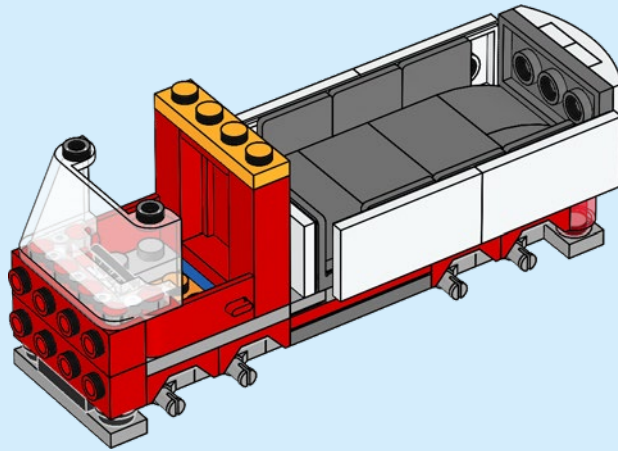
26

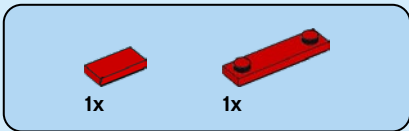




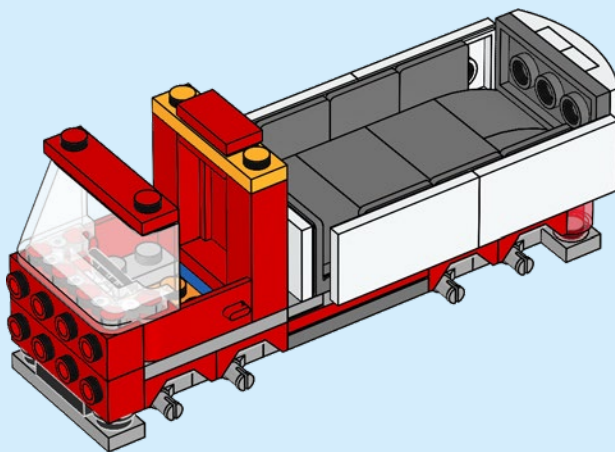
1x

27





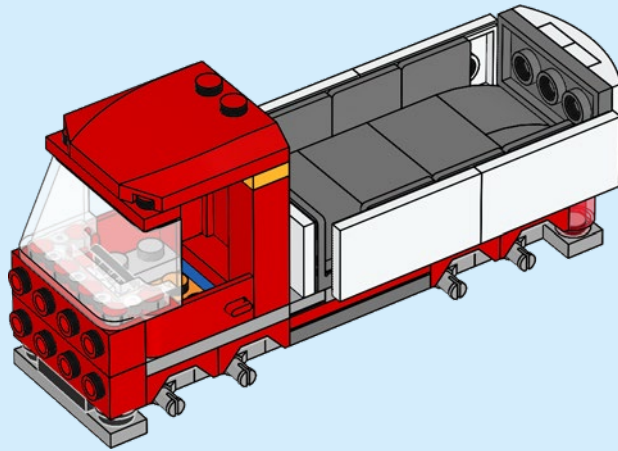
28





1x

29





2x

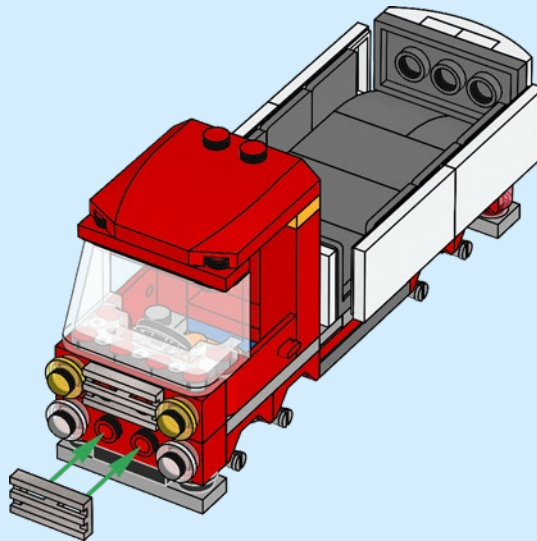


2x



2x

30



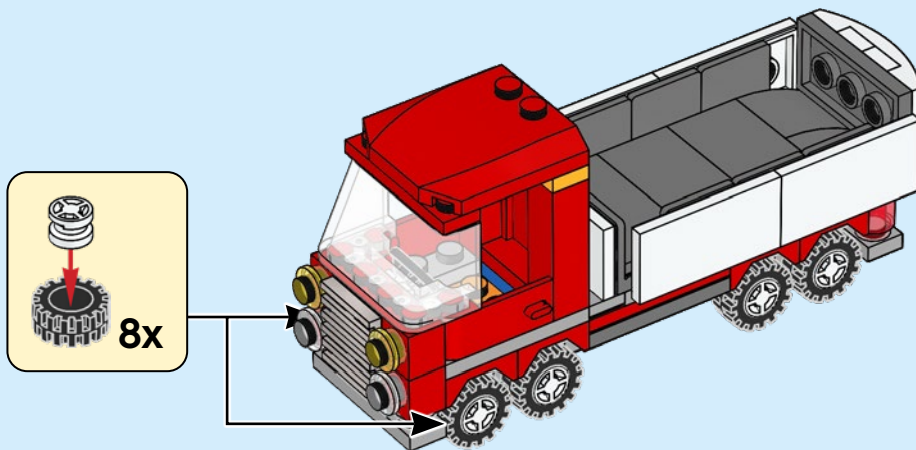


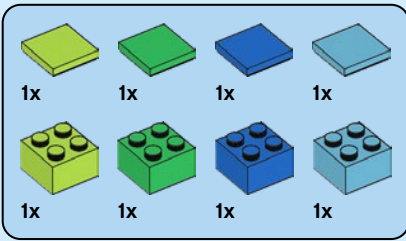
8x



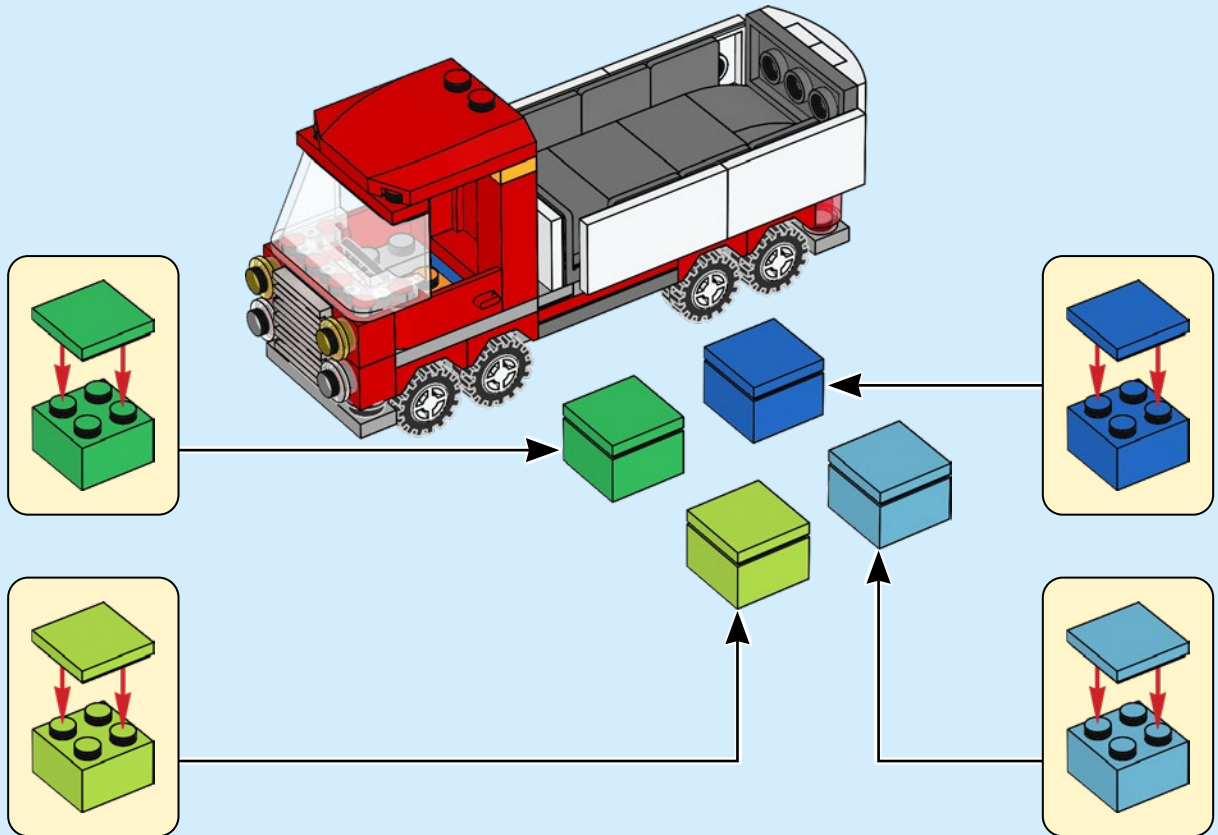
8x

31





32



LEGO and the LEGO logo are trademarks of the/son des marques de commerce du/son marcas registradas de LEGO Group.

©2021 The LEGO Group. 6374045

FIRST® is a registered trademark of For Inspiration and Recognition of Science and Technology (*FIRST*). LEGO® is a registered trademark of the LEGO Group.
FIRST® LEGO® League and CARGO CONNECT™ are jointly held trademarks of *FIRST* and the LEGO Group.

©2021 *FIRST* and the LEGO Group. All rights reserved.